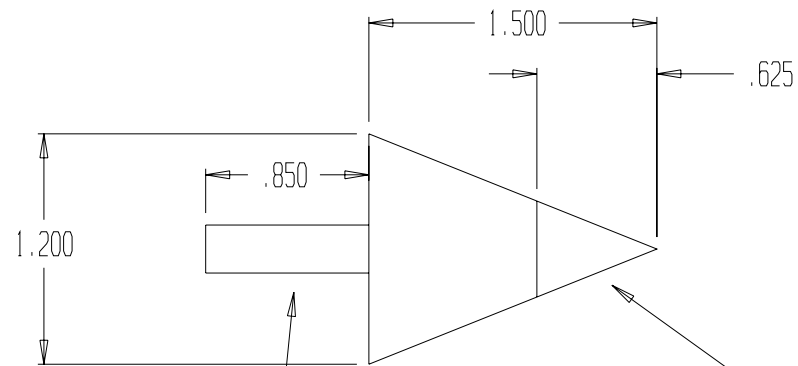


REVISIONS			
REV	DESCRIPTION	DATE	APPROVED
-	-	-	-



Tip of cone removeable/adjustable

Removeable thread; standard 1/4-20 threads.  
 Custom thread size available.  
 Stud length can or may vary.

Material: Free Machining Brass  
 Finish: Black or Gold Nickel  
 Part Weight: .19 lbs

Machine cut per supplied CAD geometry

All tolerances: +/- .015" UDS		<b>SpeakerFeet.com</b>		
Released 5-29-07	SIZE	FSCM NO.	DWG NO.	REV
	SCALE	N/A	1.50" Brass Speaker Foot	-
			SHEET	1 of 1