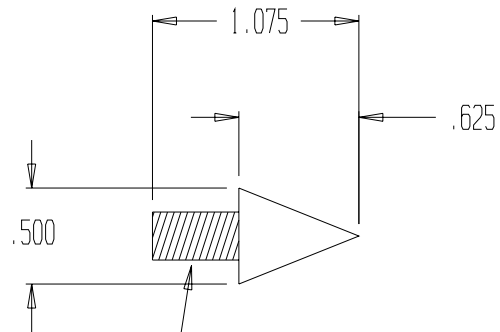


REVISIONS			
REV	DESCRIPTION	DATE	APPROVED
-		-	-



Standard 1/4-20 or M6 threads available

Material: Free Machining Brass
 Finish: Black or Gold Nickel
 Part Weight: .019 lbs

Machine cut per supplied CAD geometry

All tolerances: +/- .015" UDS		<h1>SpeakerFeet.com</h1>			
Released 5-29-07					SIZE
		SCALE	N/A	5/8" Brass Speaker Foot	-
		SHEET 1 of 1			